

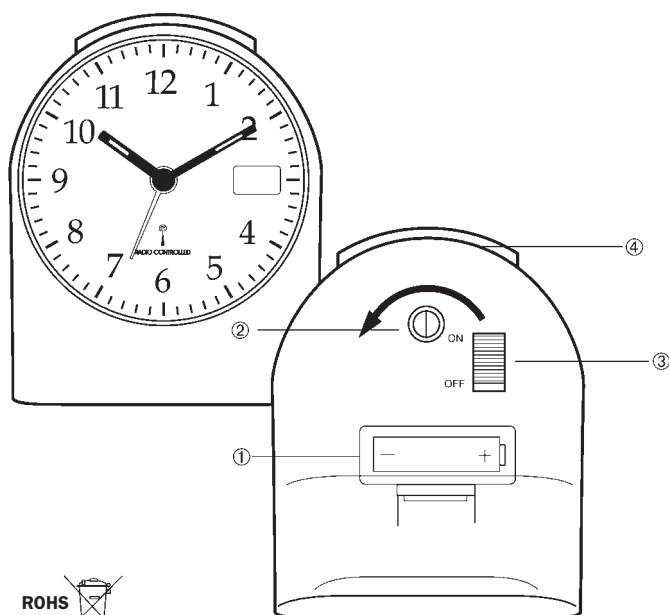
Instruction manual**TFA****RADIO-CONTROLLED ALARM CLOCK**

GB

Thank you for choosing this instrument from TFA.



CE

Kat. Nr. 60.1500**1. Before you use it**

- Please be sure to read the instruction manual carefully. This information will help you to familiarise yourself with your new device, learn all of its functions and parts, find out important details about its first use and how to operate it and get advice in the event of faults.
- Following the instruction manual for use will prevent damage to the device and loss of your statutory rights arising from defects due to incorrect use. We shall not be liable for any damage occurring as a result of not following these instructions.
- Please take particular note of the safety advice!
- Please look after this manual for future reference!

2. Scope of supply

- Radio-controlled alarm clock
- Battery 1 x 1,5 V AA
- Instruction manual

3. Field of operation and all of the benefits of your instrument at a glance

- Highest precision radio-controlled clock
- Analogue display with pointer
- Digital display of seconds
- Alarm with snooze function
- Backlight

4. For your safety

- The product is exclusively intended for the field of application described above. The product should only be used as described within these instructions.
- Unauthorised repairs, modifications or changes to the product are prohibited.
- The product is not to be used for medical purpose or for public information, but is intended solely for home use.



Caution!
Risk of injury:

- Keep this instrument and the battery out of reach of children.
- Batteries must not be thrown into the fire, short-circuited, taken apart or recharged. Risk of explosion!
- Batteries contain harmful acids. Low batteries should be changed as soon as possible to prevent damage caused by a leaking battery. Wear chemical-resistant protective gloves and glasses when handling leaked batteries.



Important information on product safety!

- Do not expose the instrument to extreme temperatures, vibration or shock.

RADIO-CONTROLLED ALARM CLOCK**5. Getting started**

- Open the battery compartment (1) and insert the battery (1x 1,5 V AA), polarity as illustrated. The unit is now ready to use.
- The clock shows 4, 8 or 12.00 o'clock and is trying to receive the MSF radio signal. When the time code is received after 2-5 minutes, the radio-controlled time will be displayed.

5.1 Radio-controlled time reception

The MSF radio time code is controlled by a caesium atomic clock situated in England. The time is coded and transmitted via frequency signal MSF (60 kHz) and is available across the whole of the UK and beyond. Your radio-controlled clock receives this signal and converts it to show the precise time in summer or winter-time. The quality of the reception depends greatly on the geographic location. In normal cases, there should be no reception problems within the UK.

Please take note of the following:

- Recommended distance to any interfering sources like computer monitors or TV sets is a minimum of 1.5 - 2 metres.
- Within ferro-concrete rooms (basements, superstructures), the received signal is naturally weakened. In extreme cases, please place the unit close to a window.
- During night-time, the atmospheric disturbances are usually less severe and reception is possible in most cases. A single daily reception is adequate to keep the accuracy deviation below 1 second.

6. Alarm

- Set your desired alarm time by turning the back button (2).
- Slide the alarm switch (3) to ON position. The alarm function is activated.
- Once the alarm starts to ring, you can activate the snooze function by pressing the top button (4). The alarm will be interrupted for 4-5 minutes.
- To deactivate the snooze function slide the alarm switch (3) to OFF position.

7. Backlight

- Press the top button (4) to light up the display for 5 seconds.

8. Care and maintenance

- Clean it with a soft damp cloth. Do not use solvents or scouring agents. Protect from moisture.
- Remove the battery if you do not use the product for a lengthy period.
- Keep the instrument in a dry place
- Please change the battery if the instrument does not work properly.

RADIO-CONTROLLED ALARM CLOCK**9. Troubleshooting**

Problem	Solution
No function	→ Ensure battery polarity is correct → Change battery
No MSF reception	→ Remove the battery and insert it again → Change location (interference!)

If your device fail to work despite these measures contact the supplier from whom you purchased it.

10. Disposal

This product has been manufactured using high-grade materials and components which can be recycled and reused.



Never dispose empty batteries and rechargeable batteries in household waste. As a consumer, you are legally required to take them to your retail store or to appropriate collection sites depending to national or local regulations in order to protect the environment.

The symbols for the heavy metals contained are:
Cd=cadmium, Hg=mercury, Pb=lead



This instrument is labelled in accordance with the EU Waste Electrical and Electronic Equipment Directive (WEEE).

Please do not dispose of this instrument in household waste. The user is obligated to take end-of-life devices to a designated collection point for the disposal of electrical and electronic equipment, in order to ensure environmentally-compatible disposal.

11. Specifications

Power consumption:	1 x 1,5V AA battery
Housing dimension:	110 x 55 x 95 mm
Weight:	135 g (incl. battery)

TFA Dostmann GmbH & Co. KG, Zum Ottersberg 12, D-97877 Wertheim
No part of this manual may be reproduced without written consent of TFA Dostmann. The technical data are correct at the time of going to print and may change without prior notice.

DECLARATION OF CONFORMITY

We herewith declare that this wireless transmission device conforms to the essential requirements of the R&TTE Directive 1999/5/EC.

A copy of the signed and dated Declaration of Conformity is available on request from info@tfa-dostmann.de.

TFA Dostmann GmbH & Co.KG, D-97877 Wertheim / www.tfa-dostmann.de